

THRUFLOW™

Premium Decking System



Beauty, Comfort & No Maintenance

ThruFlow™ is a finished decking system designed to be beautiful, maintenance free, long lasting and easy to install. It's ideal for walkways, docks, steps or any flooring structure.



INSTALLATION INSTRUCTIONS

700 Gillard Street | Wallaceburg, Ontario, Canada | N8A 4Z5

Toll Free: 1-88-THRUFLOW (1-888-478-3569) | Fax: (888) -595-4762

www.thruflow.com

INSTALLATION

It is important that the configuration of the supporting members be designed to ensure independent structural integrity prior to installing ThruFlow™. Specifications for ThruFlow™ are available online at www.thruflow.com.

CODES and STANDARDS: Always conform to your local building codes and the requirements of all authorities having jurisdiction.

SAFETY: Protective safety equipment is always recommended, e.g. eyewear, safety boots.

FASTENERS: We recommend high quality screws, such as #10, pan head stainless steel screws to take advantage of ThruFlow's™ longevity. Pre-drilling is not required, as the holes are molded in with a countersink for your convenience; screws should be clear through the panel and fastened into the structure of your structural frame. Remember not to over-tighten the screws to allow for expansion or contraction.

GAPPING INSTRUCTIONS: While ThruFlow™ Interlocking Panels will not shrink or swell due to changes in moisture, changes in temperature will cause slight expansion/contraction. Therefore, gapping is required both side-to-side and at the panel ends to allow for thermal expansion/contraction. Rules of Thumb: ThruFlow™ Interlocking Panels should be allowed to grow a minimum of 1/16" in total length (1/32" each end) and 1/32" in total width (1/64" per side) for every 30°F of difference between installation temperature and the hottest temperature expected. In cold climate regions, gapping due to contraction of plastic will occur during colder temperatures in the exact reverse proportions of those described above. Coefficient of Linear Thermal Expansion data for the panels is available at www.thruflow.com on the specifications page.

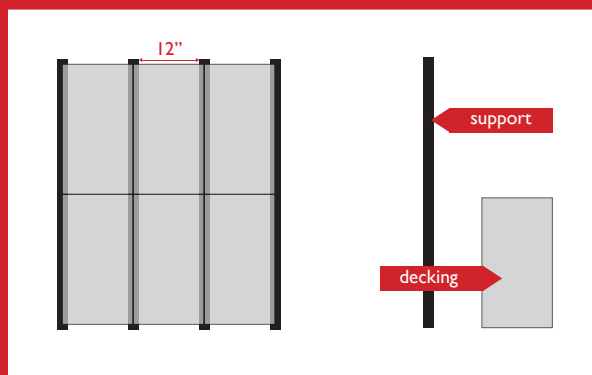
CONSTRUCTION TIPS

1. If possible, always lay out the panels on your job with a minimum of screws before you completely fasten the panels.
2. To ensure that you do not over tighten screws try using a sheetrock or drywall screw attachment or gun.

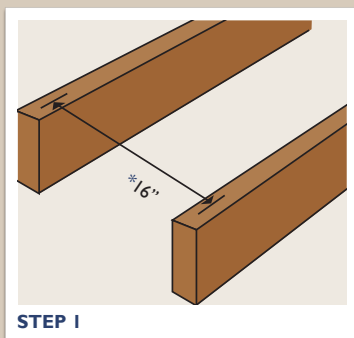
PRODUCT DATA

Material	Reinforced Polypropylene (ThruFlow™ is lightweight in comparison to other building materials)
Size	1' x 3', 1' x 4', 1' x 5' and 4' x 4'
Load	Exceeds commercial construction requirements
Colours	Light Grey, SeaFoam and Maple
Ultraviolet Protection	Industry leading UV protection
Lightweight	On a per sq. ft. basis ThruFlow™ is 70% lighter than other decking products
Open Design	Unparalleled light penetration and surge protection.
Safety	360° engineered non-slip surface
ThruFlow™ Warranty	Limited Warranty

INCORRECT INSTALLATION

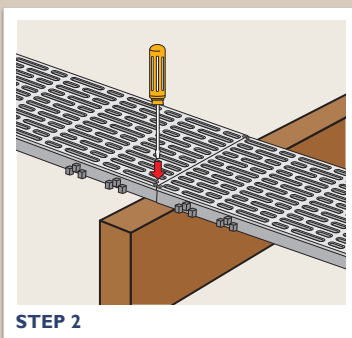


When ThruFlow™ is incorrectly installed the decking runs vertically with the supports spaced every 12". This installation leaves the entire length of the panel unsupported causing the decking to crack and break easily.



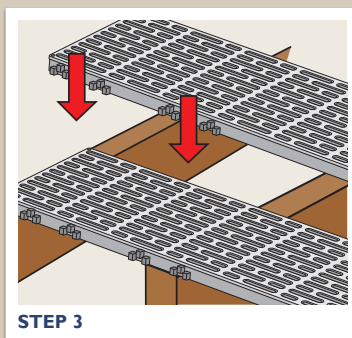
STEP 1

Substructure to be constructed with cross-members equally spaced on 18" centres (3' planks), 16" centres (4' planks) and 15" centres (5' planks).



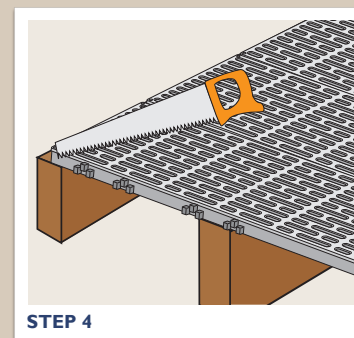
STEP 2

Lay the first ThruFlow™ on the substructure and fasten using a pan head screw. Don't overtighten screws.



STEP 3

Using the interlocking system, lay the next ThruFlow™ panel and repeat the fastening process.



STEP 4

To finish the installation, remove the last row of interlocking tabs, using any traditional hand or electric saw.

* The above images depict an installation using 4' ThruFlow™ panels with 16" centres.